

Repair Plants for LPG Cylinders



AUSTROPLAN

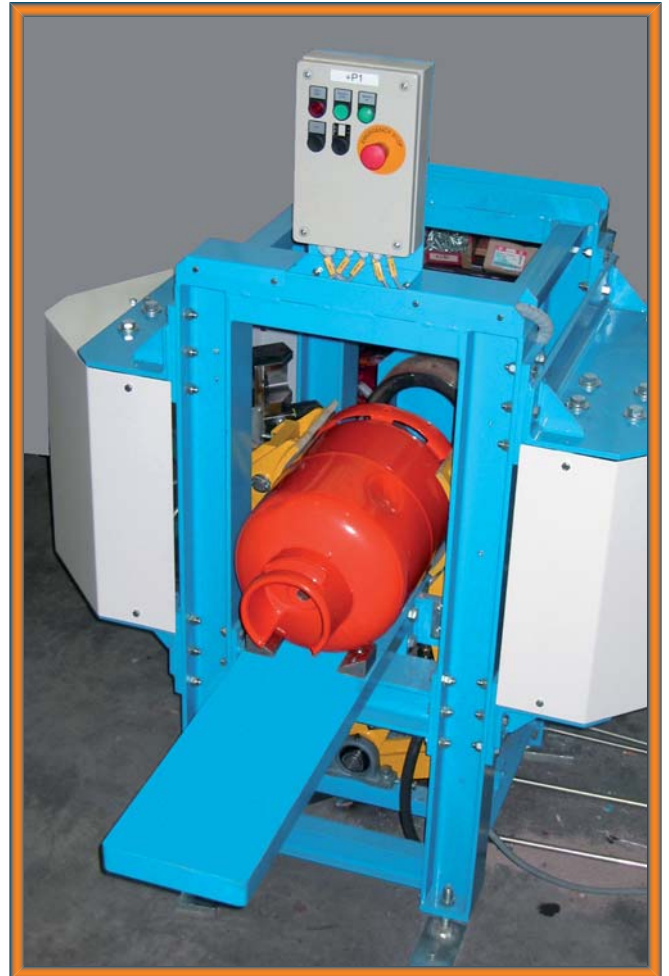
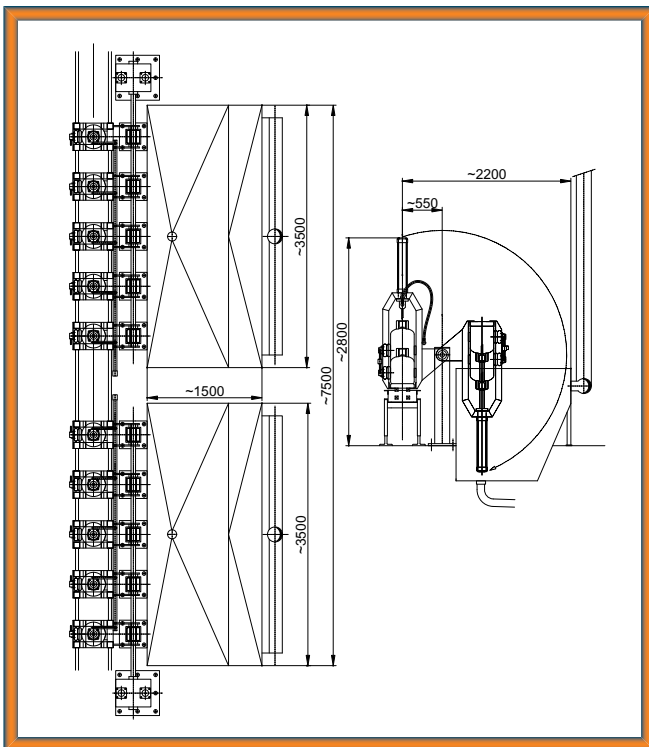
AUSTRIAN ENGINEERING GMBH

Storchengasse 1, 1150 Vienna, Austria • E-Mail: vienna@austroplan.at
Phone: +43 1 89189 0 • Telefax: +43 1 89189 299 • www.austroplan.at

Repairing of LPG Cylinders

AUSTROPLAN Austrian Engineering GmbH is your competent partner when it comes to an investment in a production and/or repair plant for LPG cylinders.

Founded in 1958 with the objective of making preferably Austrian technology and know-how available to foreign investors of industrial plants, AUSTROPLAN has gained its experience through the implementation of several production and repair plants for LPG cylinders and tanks in various countries of the world.



Based on this competence AUSTROPLAN offers the services and supplies as listed below.

AUSTROPLAN's services and supplies are perfectly reconciled with the investor's needs and comprise:

- Pre-investment studies and investigations
- Basic and detail engineering
- Provision of product and process know-how
- Delivery of machinery, equipment as well as materials and spare parts
- Elaboration of comprehensive documentation
- Transfer of technology
- In-plant training of the client's personnel
- Erection / supervision of erection
- Start-up and commissioning of plant
- Technical assistance services during operation of the plant



AUSTROPLAN Your Competent Partner

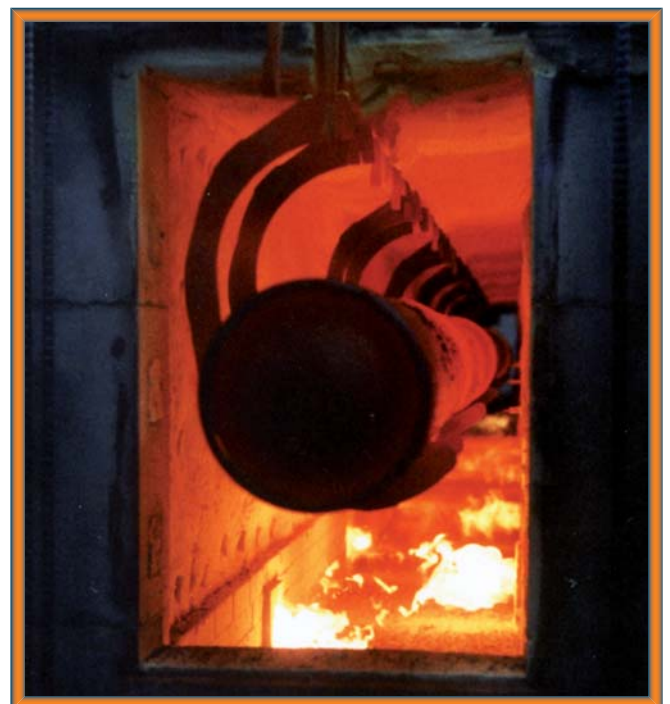


AUSTROPLAN, as your partner for the realisation of your LPG cylinder production or repair plant brings many advantages. One of these advantages - besides guaranteed performance of equipment and the entire plant, the quality of product(s) and the timely execution of your project - is the economic optimisation of your investment.

Due to its independence from any particular equipment manufacturer AUSTROPLAN's clients profit from the selection of the most appropriate equipment and production process. In many cases, special equipment, normally not available on the market, but specifically made in accordance with AUSTROPLAN's re-

quirements and the investor's needs are supplied and installed for proper operation over many years.

Please do not hesitate to contact us for any further information you may require, in order to lead your investment to a full success with AUSTROPLAN.





AUSTROPLAN

AUSTRIAN ENGINEERING GMBH

Storchengasse 1, 1150 Vienna, Austria • E-Mail: vienna@austroplan.at
Phone: +43 1 89189 0 • Telefax: +43 1 89189 299 • www.austroplan.at
